

# ARI THER STAB



TITANIUM PLUS

EXTERNAL  
TEMPERATURE  
REGULATIONEASY  
INSPECTION

## COMFORT

- Temperature regulation

## EFFICIENCY&ENERGY SAVING

- Ecological polyurethane insulation

## QUALITY

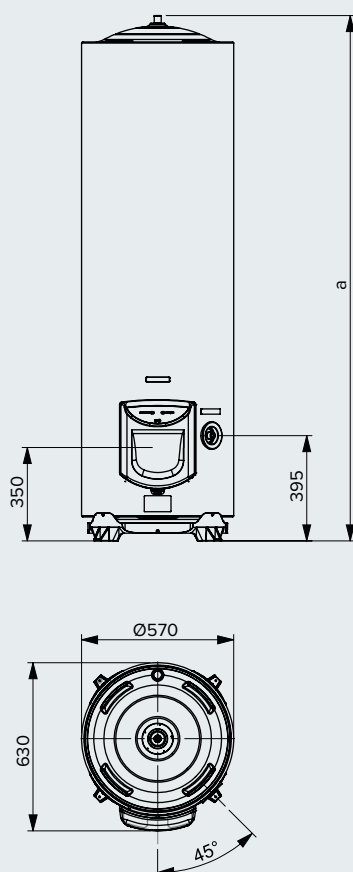
- Titanium glasslined inner tank tested at 16 bar
- Oversize magnesium anode
- 5-bolts flange
- Pressure safety valve tested at 8 bar

## DESIGN

- Exclusive Italian design
- Floor Standing



**floor  
standing**



## TECHNICAL DATA

		ARI 200 STAB 560 THER MO EU	ARI 250 STAB 560 THER MO EU	ARI 300 STAB 560 THER MO EU
Capacity	l	200	250	300
Installation		V - floor standing	V - floor standing	V - floor standing
Power	kW	3	3	3
Voltage	V	230/400	230/400	230/400
Heating time ( $\Delta T=45^{\circ}\text{C}$ )	h,min	4,26	5,00	5,54
Heat dispersion at $65^{\circ}\text{C}$	kWh/24h	1,88	2,17	2,60
Max working pressure	bar	8	8	8
Max working temperature	$^{\circ}\text{C}$	75	75	75
Weight	kg	50	61	71
Class	IP	IP25D	IP25D	IP25D

## OVERALL DIMENSIONS

a	mm	1300	1673	1954
---	----	------	------	------

## CODE

	With Plug and Cable (PL)	3000363	3000351	3000328
Erp class		D	D	D
Tapping profile		L	L	L