

ANDRIS LUX



TITANIUM PLUS

EXTERNAL TEMPERATURE REGULATION

ITALIAN DESIGN



COMFORT

- Temperature regulation
- Reduced restore time

EFFICIENCY&ENERGY SAVING

- Ecological polyurethane insulation

QUALITY

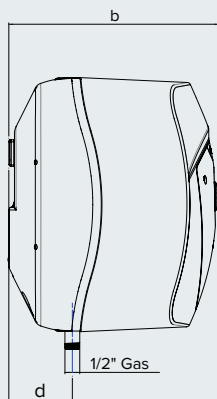
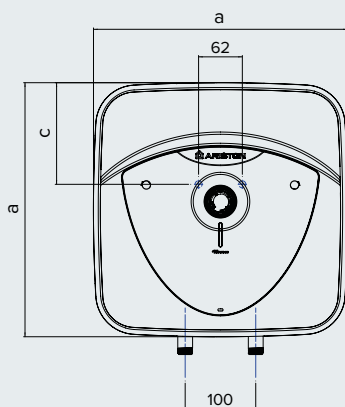
- Titanium glasslined inner tank tested at 16 bar
- Oversized magnesium anode
- Pressure safety valve tested at 8 bar
- Copper heating element
- 4 bolts flange

DESIGN

- Elegant aesthetic



design and substance



TECHNICAL DATA

		ANDRIS LUX 10	ANDRIS LUX 10 U	ANDRIS LUX 15	ANDRIS LUX 15 U	ANDRIS LUX 30
Capacity	l	10	10	15	15	30
Installation		Oversink	Undersink	Oversink	Undersink	Oversink
Power	kW	1,2	1,2	1,2	1,2	1,5
Voltage	V	220	220	220	220	220
Heating time ($\Delta T=45^{\circ}C$)	h,min	0,29	0,29	0,44	0,44	1,1
Heat dispersion at $65^{\circ}C$	kWh/24h	0,43	0,55	0,53	0,65	0,61
Max working pressure	bar	8	8	8	8	8
Max working temperature	$^{\circ}C$	80	80	80	80	80
Weight	kg	6,6	6,6	7,4	7,4	12,8
Protection	IP	IPX5	IPX5	IPX5	IPX5	IPX5

OVERALL DIMENSIONS

	mm	360	360	360	360	447
a	mm	298	298	346	346	410
b	mm	144	144	144	144	165
c	mm	92	92	78	78	114
d	mm					

CODE

3100641 3100642 3100643 3100650 3100644



3100534 3100535 3100536 3100537 3100538

	A	B	A	B	C
Erp class	A	B	A	B	C
Tapping profile	XXS	XXS	XXS	XXS	S