

# PRO ECO EVO



### COMFORT

- Digital temperature regulation
- High precision NTC temperature sensors

### EFFICIENCY&ENERGY SAVING

- Eco function
- Ecological polyurethane insulation

### QUALITY

- Titanium glasslined inner tank tested at 16 bar
- Oversize magnesium anode
- 5-bolts flange
- Pressure safety valve tested at 8 bar
- ABS safety package

### DESIGN

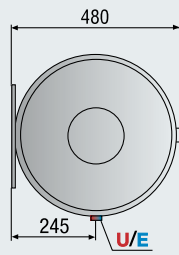
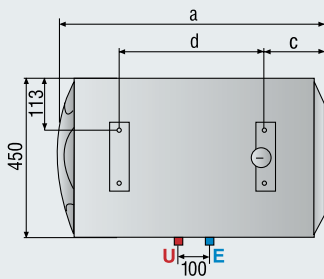
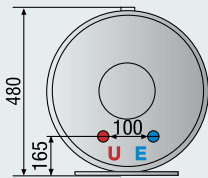
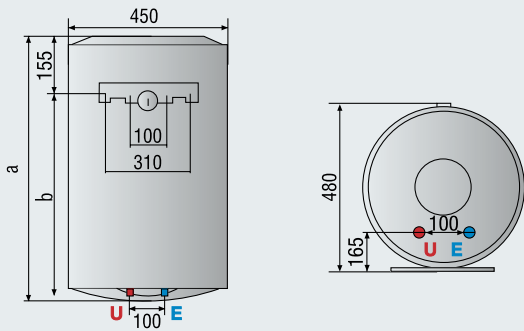
- Led display
- Exclusive Italian design
- Wall-hung



Powered by  
**CoreTECH**  
The new advanced electronic thermostat



**comfort  
and saving**



LEGEND  
E Cold water inlet G 1/2"  
U Hot water outlet G 1/2"

\*Compared to electrical water heaters within the same size according to European labelling regulation UE n. 812/2013  
\*\*Estimated saving vs traditional electrical water heater starting from the average European net demand of hot water (2007 VHK Ecodesign WH study). Saving changes depending on product's capacity.

# PRO ECO EVO

## 1,5 kW - TECHNICAL DATA

		PRO ECO 50 V	PRO ECO 80 V	PRO ECO 100 V	PRO ECO 50 H 1,2K	PRO ECO 80 H	PRO ECO 100 H
Capacity	l	50	80	100	50	80	100
Installation	V	V	V	V	H	H	H
Size		Regular	Regular	Regular	Regular	Regular	Regular
Power	kW	1,5	1,5	1,5	1,2	1,5	1,5
Voltage	V	230	230	230	230	230	230
Heating time ( $\Delta T=45^{\circ}\text{C}$ )	h,min	1:50'	2:56'	3:40'	2:17'	2:56'	3:40'
Heat dispersion at $65^{\circ}\text{C}$	kWh/24h	0,96	1,22	1,39	0,96	1,48	1,65
Max working pressure	bar	8	8	8	8	8	8
Max working temperature	$^{\circ}\text{C}$	80	80	80	80	80	80
Weight	kg	16,5	22	25,5	22	22	25,5
Class	IP	IPX3	IPX3	IPX3	IPX1	IPX1	IPX1

## OVERALL DIMENSIONS

	mm	550	758	913	550	758	913
a	mm	550	758	913	550	758	913
b	mm	398	603	758	-	-	-
c	mm	-	-	-	155	174	177
d	mm	-	-	-	160	335	487

## CODE

3200417	3200418	3200419	3200420	3200421	3200422
---------	---------	---------	---------	---------	---------



## 1,8 kW - TECHNICAL DATA

		PRO ECO 50 V	PRO ECO 80 V	PRO ECO 100 V	PRO ECO 120 V	PRO ECO 80 H	PRO ECO 100 H
Capacity	l	50	80	100	120	80	100
Installation	V	V	V	V	V	H	H
Size		Regular	Regular	Regular	Regular	Regular	Regular
Power	kW	1,8	1,8	1,8	1,8	1,8	1,8
Voltage	V	230	230	230	230	230	230
Heating time ( $\Delta T=45^{\circ}\text{C}$ )	h,min	1:32'	2:27'	3:03'	3:40'	2:27'	3:03'
Heat dispersion at $65^{\circ}\text{C}$	kWh/24h	0,96	1,22	1,39	1,6	1,48	1,65
Max working pressure	bar	8	8	8	8	8	8
Max working temperature	$^{\circ}\text{C}$	80	80	80	80	80	80
Weight	kg	16,5	22	25,5	35,5	22	25,5
Class	IP	IPX3	IPX3	IPX3	IPX3	IPX1	IPX1

## OVERALL DIMENSIONS

	mm	550	758	913	970	758	913
a	mm	550	758	913	970	758	913
b	mm	398	603	758	815	-	-
c	mm	-	-	-	-	174	177
d	mm	-	-	-	-	335	487

## CODE

 Erp class	3200751	3200762	3200740				
Tapping profile	B	B	B				
	M	M	M				
 With Plug and Cable (PL)	3200752	3200763	3200741	3700431	3200730	3200725	
Erp class	B	B	B	C	D	D	
Tapping profile	M	M	M	L	M	M	

## 2 kW - TECHNICAL DATA

		PRO ECO 50 V	PRO ECO 80 V	PRO ECO 100 V
Capacity	l	50	80	100
Installation	V	V	V	V
Size		Regular	Regular	Regular
Power	kW	1,8	1,8	1,8
Voltage	V	230	230	230
Heating time ( $\Delta T=45^{\circ}\text{C}$ )	h,min	1:22'	2:12'	2:45'
Heat dispersion at $65^{\circ}\text{C}$	kWh/24h	0,96	1,22	1,39
Max working pressure	bar	8	8	8
Max working temperature	$^{\circ}\text{C}$	80	80	80
Weight	kg	16,5	22	25,5
Class	IP	IPX3	IPX3	IPX3

## OVERALL DIMENSIONS

	mm	550	758	913
a	mm	550	758	913
b	mm	398	603	758
c	mm	-	-	-
d	mm	-	-	-

## CODE

 Erp class	3200753	3200764	3200742
Tapping profile	B	B	B
	M	M	M