

2 KVC

SETS WITH 2 VERTICAL MULTISTAGE CENTRIFUGAL PUMPS



Water lifting sets specifically suitable for domestic applications and small systems for civil, agricultural or industrial uses.

The use of multistage vertical axis centrifugal pumps is a guarantee of high performance and efficiency levels.

These pumps are characterised by their compact dimensions, rugged construction, extreme reliability and very low noise operation.

Control panel made of impact-resistant self-extinguishing plastic with IP55 protection rating. The panel protects the electric pumps and operates them in sequence, maintaining the plant at a factoryset average pressure value.

The average pressure value can be adjusted by means of a trimmer located inside the panel.

At each operating cycle the pumps starting sequence is inverted. The pressure value is read by the pressure transmitter located on the outlet manifold.

TECHNICAL DATA

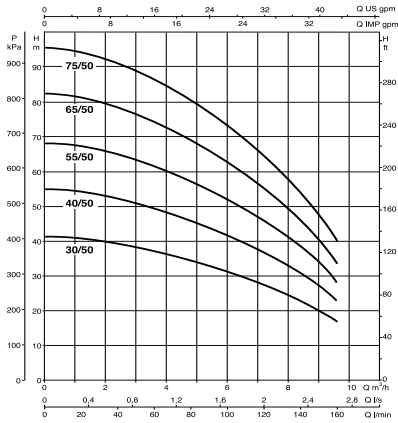
MODEL	CODE	ELECTRICAL DATA			MAX PRESSURE OBTAINABLE BAR	PRESSURE SWITCH SETTING IN BAR	
		VOLTAGE 50 Hz	P2 NOMINAL				In A
			KW X2	HP X2			
2KVC 30/50 M 230-50	60122127	1 X 230 V ~	0,55	0,75	2x 4	4	2-3,5
2KVC 30/50 T 400-50	60122138	3 X 400 V ~	0,55	0,75	2x 1,4	4	2-3,5
2KVC 40/50 M 230-50	60122128	1 X 230 V ~	0,8	1,1	2x 5,6	5,2	3,5-5
2KVC 40/50 T 400-50	60122139	3 X 400 V ~	0,8	1,1	2x 2,2	5,2	3,5-5
2KVC 55/50 M 230-50	60122129	1 X 230 V ~	1	1,36	2x 6,4	6,5	4,5-6
2KVC 55/50 T 400-50	60122140	3 X 400 V ~	1	1,36	2x 2,6	6,5	4,5-6
2KVC 65/50 M 230-50	60122130	1 X 230 V ~	1,1	1,5	2x 7,4	8	6-7,5
2KVC 65/50 T 400-50	60122141	3 X 400 V ~	1,1	1,5	2x 3,1	8	6-7,5
2KVC 75/50 M 230-50	60122131	1 X 230 V ~	1,5	2	2x 9	9	7-8,5
2KVC 75/50 T 400-50	60122142	3 X 400 V ~	1,5	2	2x 3,6	9	7-8,5
2KVC 30/80 M 230-50	60122132	1 X 230 V ~	0,8	1,1	2x 5,6	4,5	2,5-4
2KVC 30/80 T 400-50	60122143	3 X 400 V ~	0,8	1,1	2x 2,2	4,5	2,5-4
2KVC 40/80 M 230-50	60122133	1 X 230 V ~	1	1,36	2x 6,5	5,5	3,5-5
2KVC 40/80 T 400-50	60122144	3 X 400 V ~	1	1,36	2x 2,6	5,5	3,5-5
2KVC 45/80 M 230-50	60122134	1 X 230 V ~	1,1	1,5	2x 7,4	6,8	4,5-6
2KVC 45/80 T 400-50	60122145	3 X 400 V ~	1,1	1,5	2x 3,1	6,8	4,5-6
2KVC 55/80 M 230-50	60122135	1 X 230 V ~	1,5	2	2x 9	8	5,5-7
2KVC 55/80 T 400-50	60122146	3 X 400 V ~	1,5	2	2x 3,6	8	5,5-7
2KVC 65/80 T 400-50	60122147	3 X 400 V ~	2,2	3	2x 4	9,2	6,5-8
2KVC 35/120 M 230-50	60122136	1 X 230 V ~	1,1	1,5	2x 7,4	4,5	2,5-4
2KVC 35/120 T 400-50	60122148	3 X 400 V ~	1,1	1,5	2x 3,5	4,5	2,5-4
2KVC 45/120 M 230-50	60122137	1 X 230 V ~	1,85	2,5	2x 12	6	4-5,5
2KVC 45/120 T 400-50	60122149	3 X 400 V ~	1,85	2,5	2x 4,6	6	4-5,5
2KVC 60/120 T 400-50	60122150	3 X 400 V ~	2,2	3	2x 5,4	7,5	5-6,5
2KVC 70/120 T 400-50	60122151	3 X 400 V ~	3	4	2x 6,8	9	6,5-8
2KVC 85/120 T 400-50	60122152	3 X 400 V ~	3	4	2x 7,8	10,5	8,5-10

The sets are supplied as standard with tanks and with air supply connector.

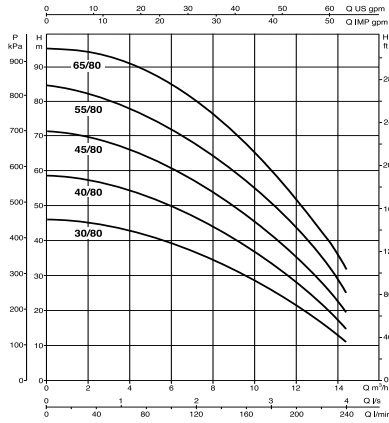
2 KVC

SETS WITH 2 VERTICAL MULTISTAGE CENTRIFUGAL PUMPS

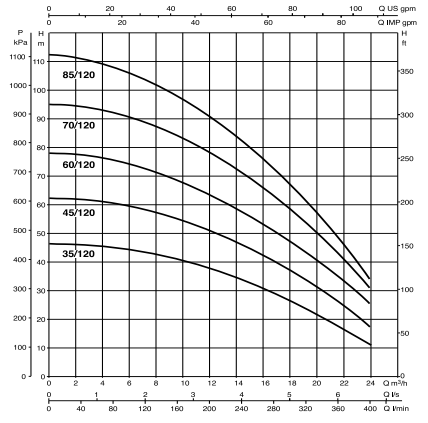
2 KVC 50



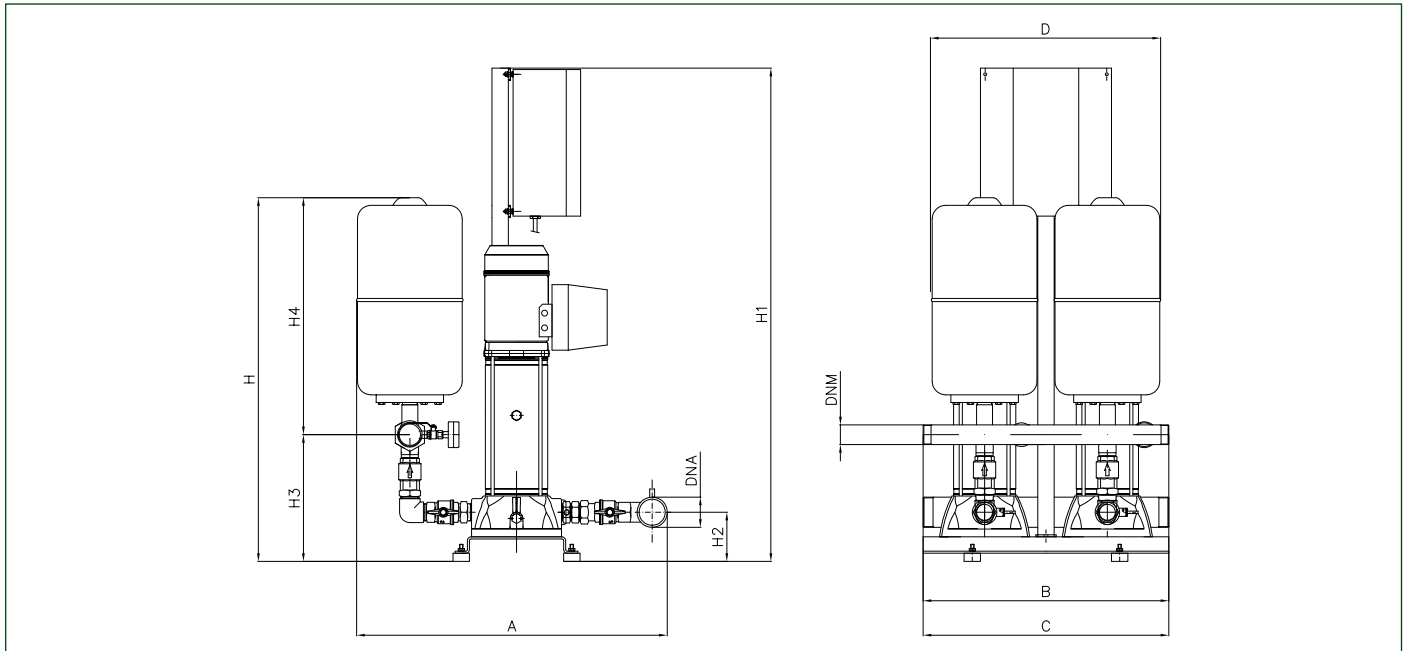
2 KVC 80



2 KVC 120



DIMENSIONS AND WEIGHTS



MODEL	A	B	C	D	P	H	H1	H2	H3	H4	Ø MANIFOLD		WEIGHT Kg	
											DNA (suction)	DNM (delivery)	Single-Phase	Three-Phase
2KVC 30/50	760	550	500	560	-	800	920	95	260	610	2"	2"	70	70
2KVC 40/50	760	550	500	560	-	800	920	95	260	610	2"	2"	74	74
2KVC 55/50	760	550	500	560	-	800	920	95	260	610	2"	2"	76	76
2KVC 65/50	760	550	500	560	-	800	920	95	260	610	2"	2"	82	81
2KVC 75/50	760	550	500	560	-	800	920	95	260	610	2"	2"	84	83
2KVC 30/80	760	550	500	560	-	800	920	95	260	610	2"	2"	73	73
2KVC 40/80	760	550	500	560	-	800	920	95	260	610	2"	2"	76	76
2KVC 45/80	760	550	500	560	-	800	920	95	260	610	2"	2"	82	82
2KVC 55/80	760	550	500	560	-	800	920	95	260	610	2"	2"	84	82
2KVC 65/80	760	550	500	560	-	800	920	95	260	610	2"	2"	-	85
2KVC 35/120	760	550	500	560	-	800	920	95	260	610	2"	2"	82	82
2KVC 45/120	760	550	500	560	-	800	920	95	260	610	2"	2"	86	86
2KVC 60/120	760	550	500	560	-	800	920	95	260	610	2"	2"	-	90
2KVC 70/120	760	550	500	560	-	800	920	95	260	610	2"	2"	-	94
2KVC 85/120	760	550	500	560	-	800	920	95	260	610	2"	2"	-	95